

# Accurate positioning ... for marking systems with LMSLA12



A resolution of up to 0.008 mm/pulse provides the highest accuracy for any application. Output circuits are available in HTL from 10 VDC to 30 VDC and TTL from 4.75 VDC to 5.5 VDC.



The contact pressure of 25 N ensures cushioned suspension. The system is individually adapted to the surface to be measured, by using measuring wheels with different surface types.

mm/pulses	Pulses	LMSLA12100024KH10	LMSLA12100005KH10	LMSLA12100024KG10	LMSLA12100005KG10	LMSLA12010024NG10	LMSLA12010005NG10	LMSLA12010024KH10	LMSLA12010005KH10	LMSLA12004024KG10	LMSLA12004005KG10	LMSLA12004024NG10	LMSLA12004005NG10	LMSLA12000824KH10	LMSLA12000805KH10	LMSLA12000824KG10	LMSLA12000805KG10		
1,0	200	•	•	•	•														
0,1	2000					•	•	•	•	•									
0,04	5000									•	•	•	•						
0,008	25000													•	•	•	•		
<b>VDC</b>																			
10 up to 30 HTL		•	•	•	•	•	•	•	•	•	•	•	•	•	•	•	•		
4,75 up to 5,5 TTL		•	•	•	•	•	•	•	•	•	•	•	•	•	•	•	•		
<b>Range of appl.*</b>		1	1	2	2	3	3	1	1	2	2	3	3	1	1	2	2	3	3

\* Range of application measuring wheel U = 200 mm  
**1 LMSxxxKH** Greased metal, steal profiles, painted surfaces, plastics, paper, pasteboard, wood, textiles, leather, wire.  
**2 LMSxxxKG** Greased metal, painted surfaces, plastics, paper, pasteboard, wood, textiles, glass, flooring.  
**3 LMSxxxNG** Plastics, paper, pasteboard, wood, textiles, fleece, carpet, cable measuring.

For further assistance please feel free to contact us. We would be happy to help you to find the suitable resolution, measurement wheel, cable length or other accessory to optimize your application.

**Any Questions?** Just call Tatjana Weigelt at +49 (0) 6722/9965-242, send her an E-Mail to tw@wachendorff.de or call your local distributor: [www.wachendorff-automation.com/distri](http://www.wachendorff-automation.com/distri)



Wachendorff Automation GmbH & Co. KG  
 Industriestrasse 7 • D-65366 Geisenheim

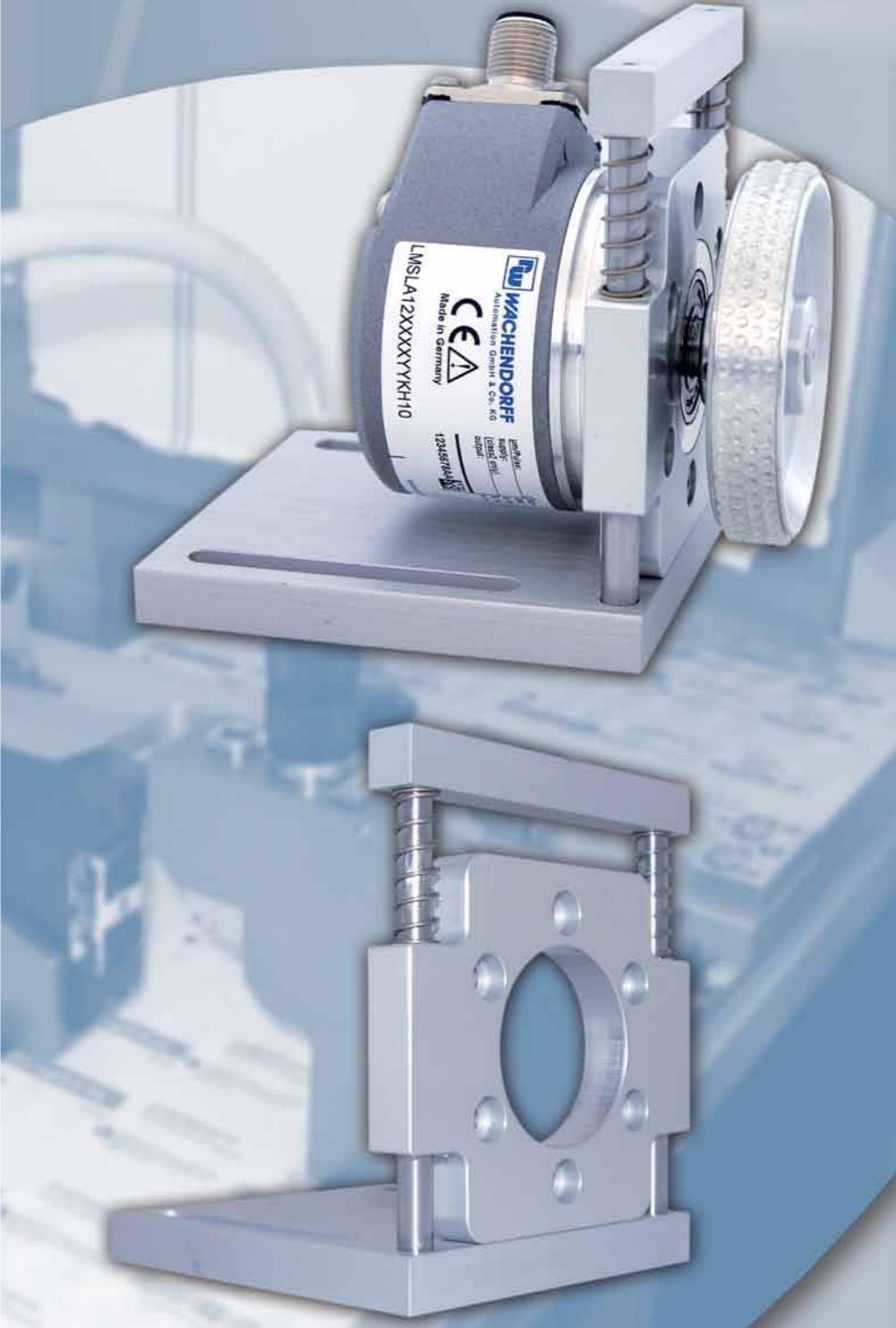
Tel.: +49 (0) 67 22 / 99 65 - 25  
 Fax: +49 (0) 67 22 / 99 65 - 70  
 E-Mail: wdg@wachendorff.de  
 www.wachendorff-automation.com



Your distributor:



# Accurate positioning for marking systems with LMSLA12



- Space-saving complete system
- Excellent print layout, thanks to a resolution of 0.008 mm/pulse
- Versatile use on different surfaces
- High linear compensation





## Accurate positioning ... for marking systems

The new measuring system LMSLA12 is a perfectly tuned, pre-assembled complete system for use in the field of marking and labelling.

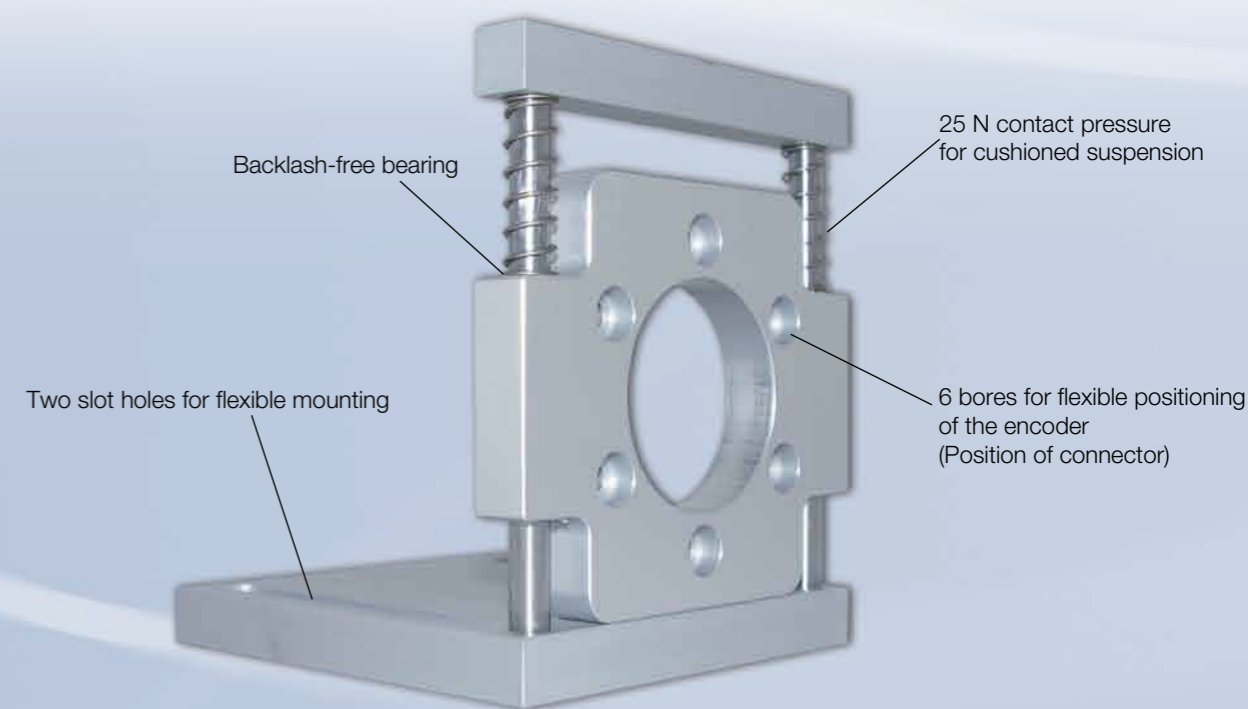
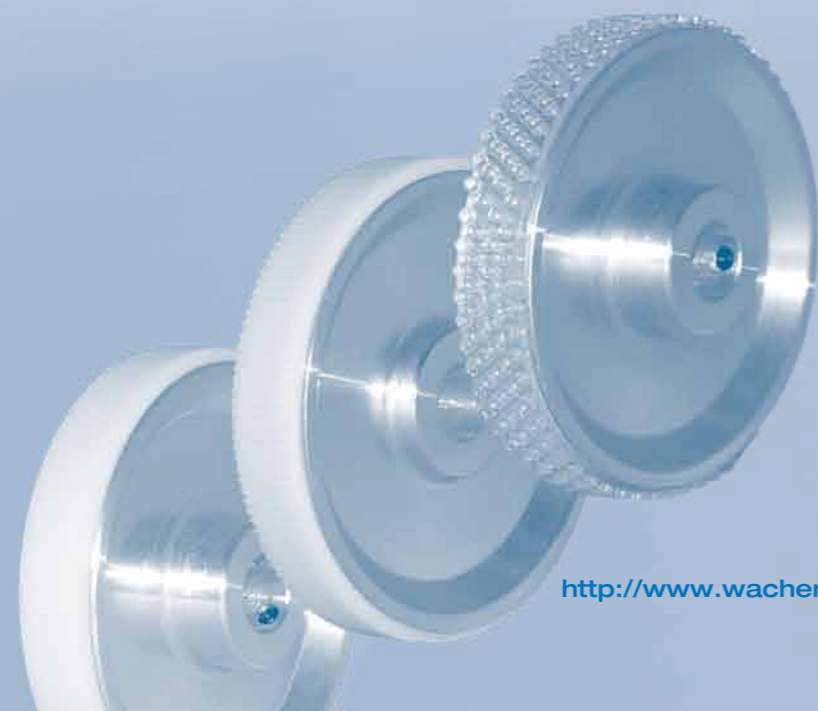
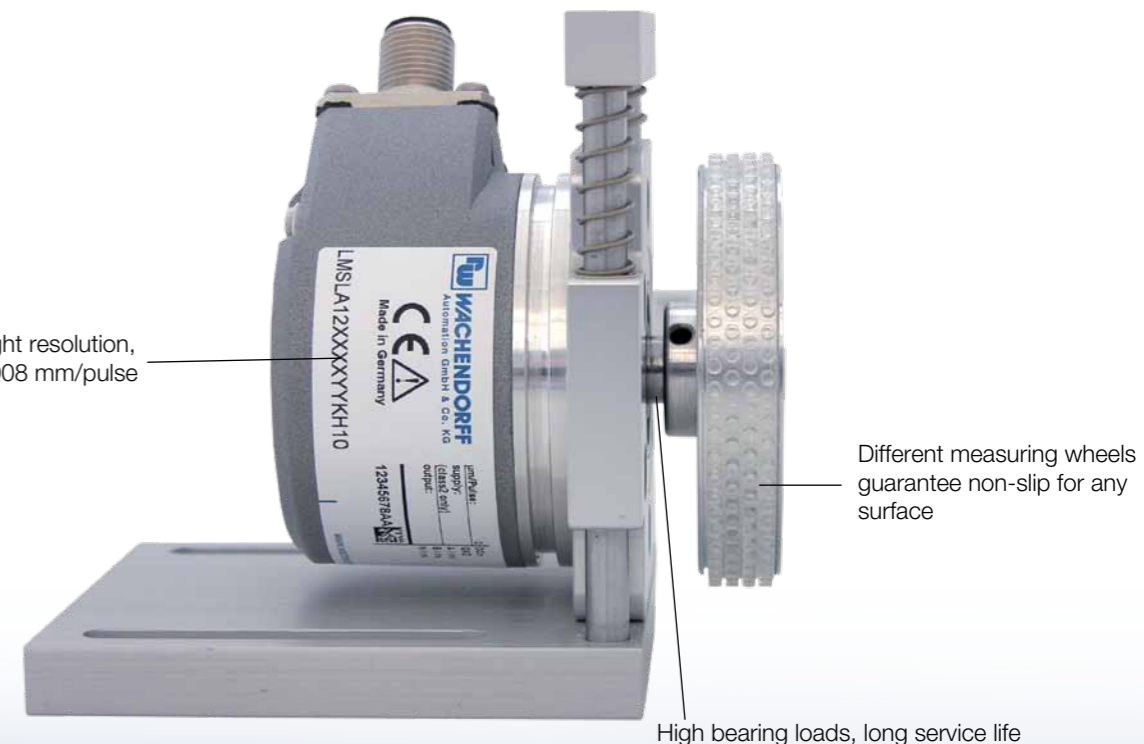
The system, consisting of an incremental encoder from the WDGI series, an encoder holder with 25 N contact pressure and a non-slip measuring wheel, is used to continuously measure the speed in many different types of marking systems. The position of the product to be labelled is determined based on this measurement.

As a last stage of the packaging process, the product labelling or marking system uses this exact positioning information to mark, among other things, cardboard, packaging, labels, bottles and other materials accurately and in a superior print quality.

Codes of any kind, brand logos and graphic designs, batch and lot numbers and sell-by dates are applied using inkjet processes or special inks, for example.

The components of the measuring system are perfectly matched and guarantee utmost precision and a long service life.

- With their IP65/67 protection, the encoders in the WDGI series are designed and adapted for use in harsh industrial environments.
- With a permissible radial load of 220 N on the shaft, the measuring system can be mounted securely without slipping and has a high pretensioning force.
- The encoder is delivered with a 8-pin M12 connector. Please choose the suitable cable from our standard program. KI867 straight or KIA867 angular connector.
- The specially selected surfaces of the different Wachendorff measuring wheels guarantee non-slip properties in all areas of application - even at very high production speeds.
- The encoder holder is a special development with two slot holes for flexible mounting.
- Exceptionally high repeat accuracy combined with a very high resolution of the WDGI encoder of up to 25,000 PPR (0.008 mm/pulse) guarantees an accurate marking position.



<http://www.wachendorff-automation.com/lmsla12>



<http://www.wachendorff-automation.com/lmsla12>